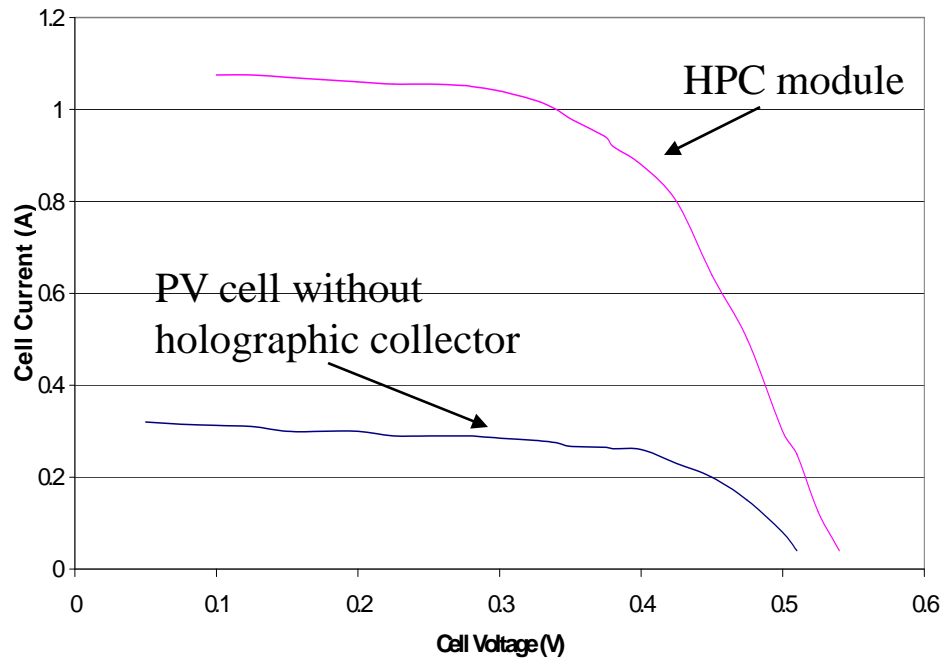
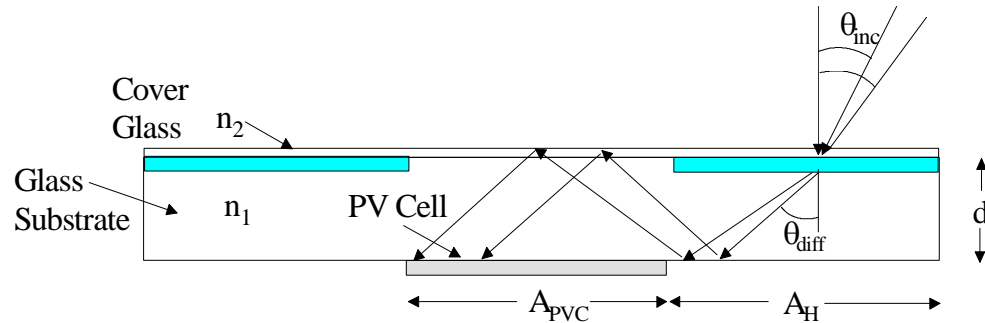


Holographic Planar Concentrator

Raymond. K. Kostuk, Brian Myer, John Brownlee (UA ECE and COS);

Glenn Rosenberg (Prism Solar Technologies, Tucson Arizona)



- Low cost holographic gratings collect light and illuminates small regions of high cost PV cell material.
- This forms a concentration factor of $C \sim 2.5$